

Stock Code: **20469LEDD-BS/ACR**

Collection: Solero

PRODUCT INFORMATION

Base: 20469 Parent: 20469LEDD
Mounting Type: Ceiling UPC: 641594228861
Finish: Brushed Steel
Diffuser: Acrylic Lens

PRODUCT MEASUREMENTS

| | |
|------------------------|---------------------------|
| FIXTURE | BACKPLATE / CANOPY |
| Length: | Length |
| Width: | Width: |
| Diameter 16" | Diameter: 5" |
| Height: 5" | Height: 1" |
| Extension: | |
| Overall Height: 13-51" | |

TECHNICAL SPECIFICATIONS

SPECIFICATIONS

| | |
|-----------------------------------|---------------------|
| Frame Material: Steel | |
| Diffuser Material: Acrylic | |
| Lamping Type: SSL (Dedicated LED) | Jbox: Standard |
| Lamping Base: SSL | Lamp Wattage: 25 W |
| Lamp Quantity: 1 | Total Wattage: 25 W |
| Voltage: 120v | Lamps Included: Yes |

QUALIFICATIONS

| | |
|---------------------------------------|------------------------|
| Location Rating Damp | |
| Certification: ETL (US/Canada) Listed | |
| ADA Compliant: No | Energy Star: No |
| JA8 Compliant: No | Emergency Lighting: No |
| Marine Grade: No | Warranty: 5 Year |

PHOTOMETRICS

| | |
|--|---------------------------|
| Dimmable: Yes | Nominal Lumens 2200 Lm |
| CRI: 90 | Delivered Lumens: 1765 Lm |
| CCT: 3000K | |
| Recommended Dimmers: | |
| (ELV)LUTRON Caseta PD - 6WCL; (TRIAC)LUTRON Diva DVCL-153P; (ELV)LUTRON Maestro MRF2-6CL; (ELV)LUTRON Maestro CL MACL-153M | |

Additional Notes:

6, 16, and 22-inch down rods included; Optional 6, 16, and 22-inch down rods available (max 10 feet); 10 feet of cord included; Custom Finish 5 Piece Minimum Order Quantity; Optional Color Temperature 100 Piece Minimum Order Quantity

Project Name: _____

Location: _____

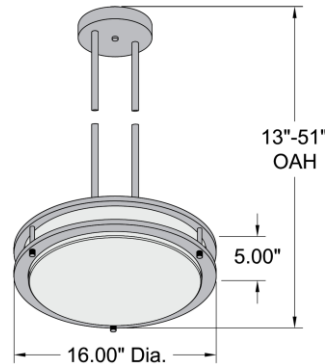
Type: _____

Quantity: _____

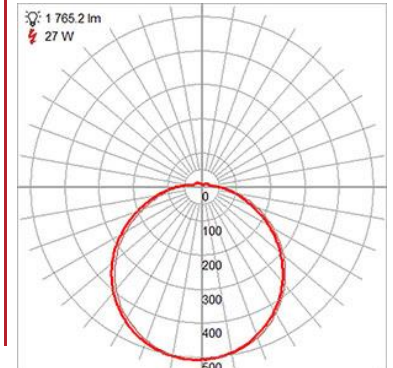
Notes: _____



LINE DRAWING



IES FILE



In addition to Access Lighting's purchase and warranty terms and conditions, by signing below or placing an order, you agree that you are authorized to bind the entity placing any order and acknowledge the following: All of sizes and measurements are approximate and all images are for illustrative purposes only. In the event of an inconsistency, the "Product Measurements" section controls. There also may be slight differences in the colors and designs compared to the displayed and printed images.

Signature: _____

Print Name _____ Date: _____

Toll Free 800-828-5483 www.AccessLighting.com

14410 Myford Road, Irvine, CA 92606

